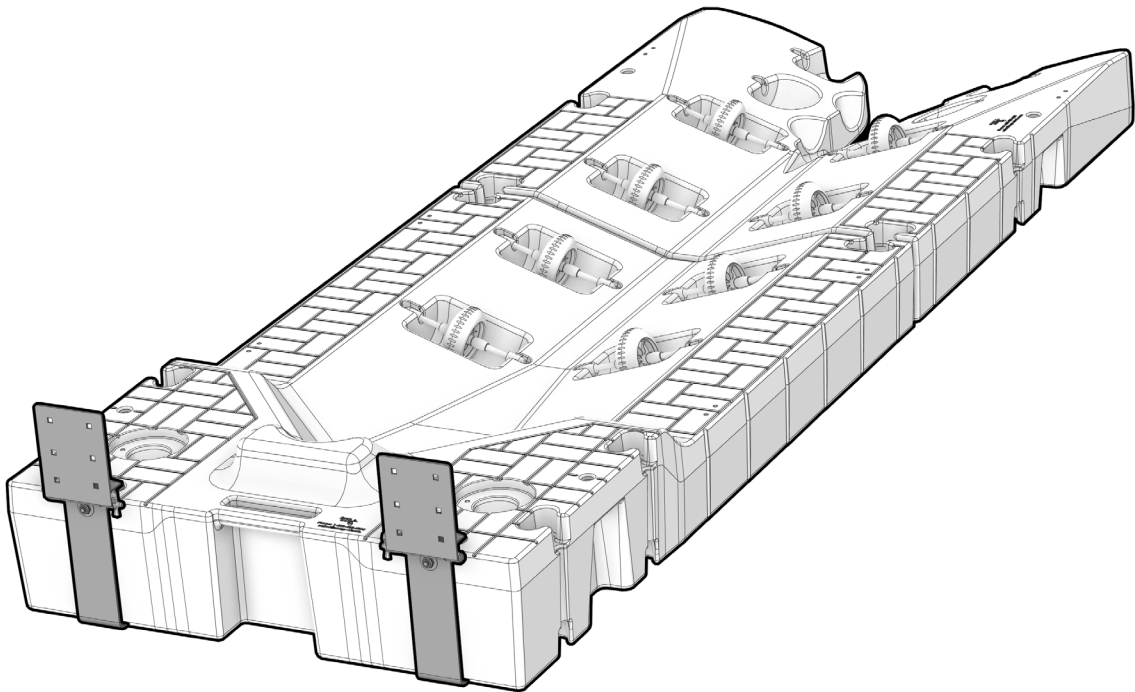


CanadaDocks™




Where *fun* on the water *begins!*



Hinge Kit for Snap-Dock - Wooden Dock

Read this manual and related assembly instructions before attempting to assemble the parts enclosed to ensure that your new CanadaDocks System is assembled safely and correctly.

INCLUDED IN KIT:

SDWB1  2x

SDWB2  2x

W151116  2x

SDHC1  2x

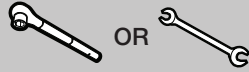
SDHKP  2x

NNS1  2x

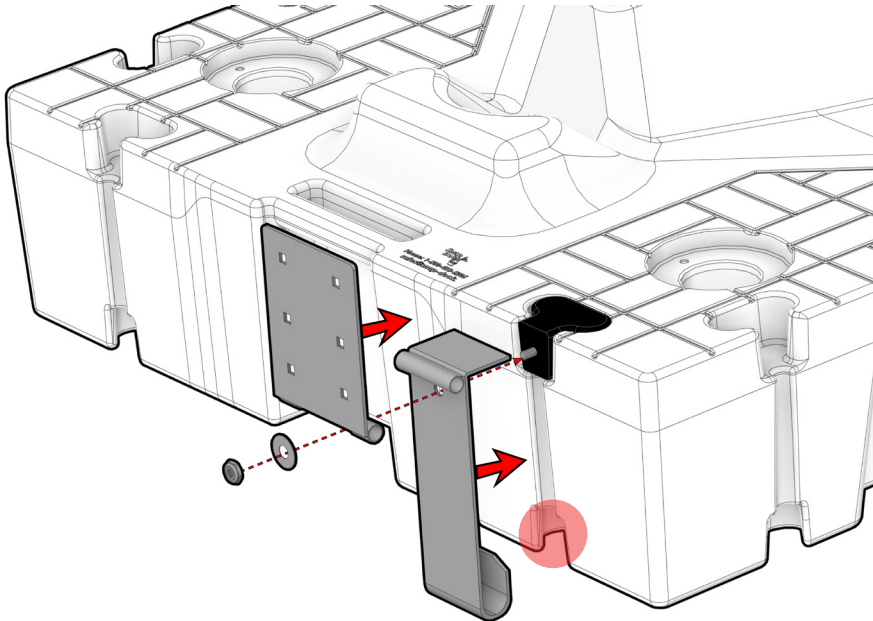
HRP2  2x

Tools Required:

15/16" SOCKET WITH RATCHET TO
SUIT OR 5/16" WRENCH



1



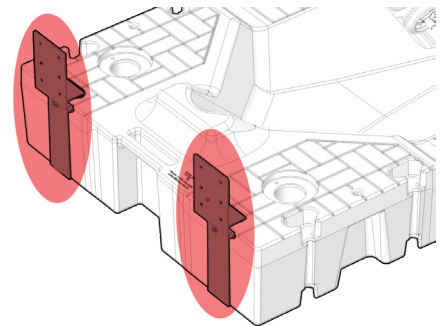
SDWB1  2x

SDHKP  2x

W151116  2x

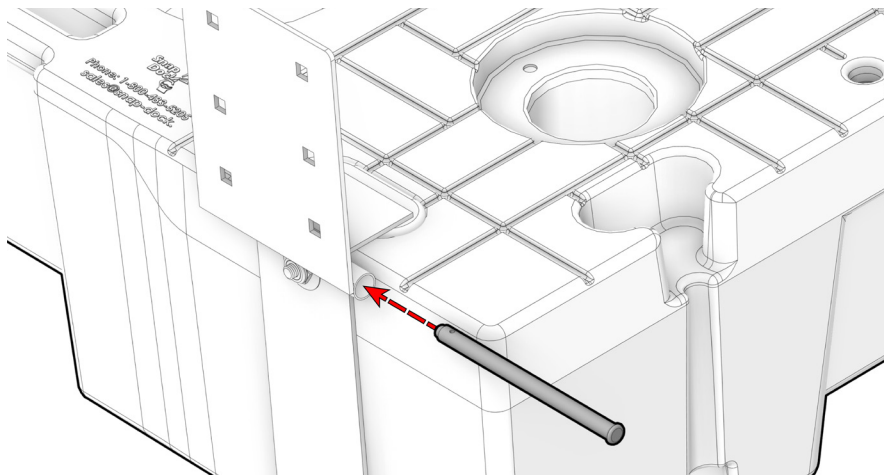
NNS1  2x

SDHC1  2x

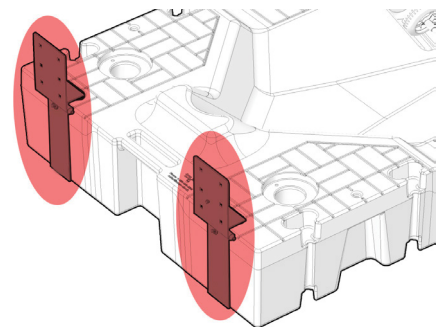


Ensure the bottom curved section of the bracket (**SDWB1**) is slid inside the bottom pocket of the snap-port (circled above). Repeat **STEP 1** for both sides of the snap-port.

2

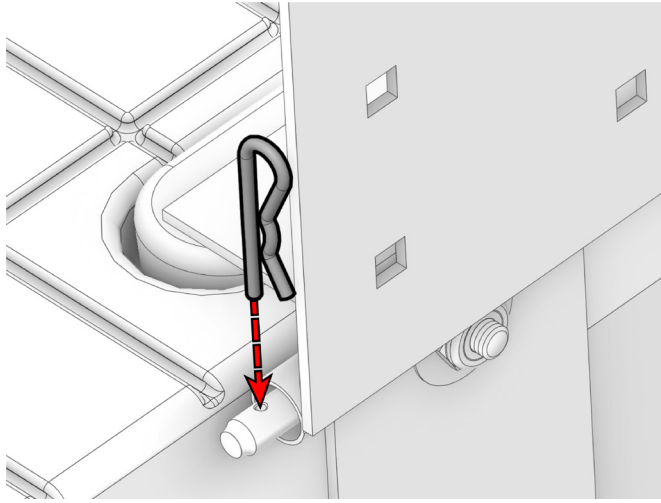


CP2  2x



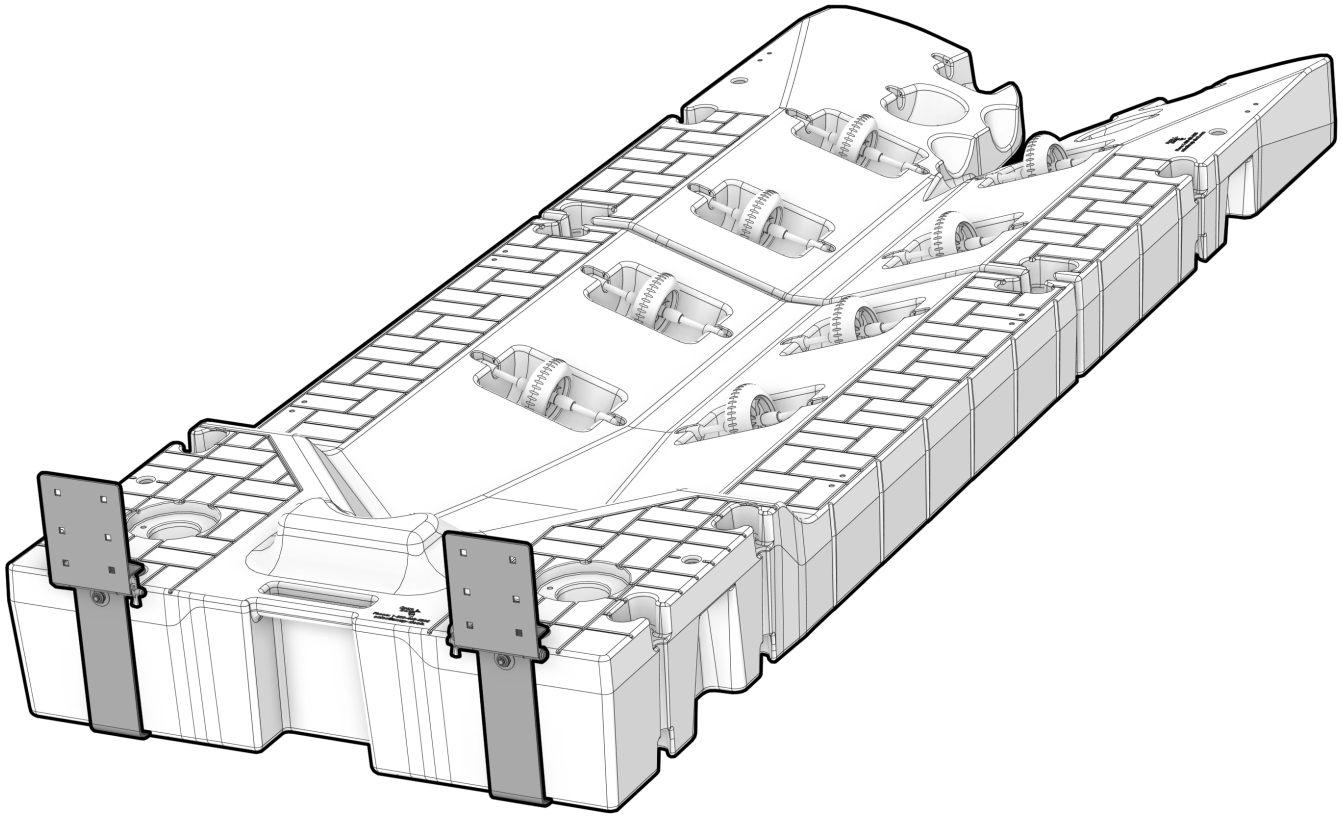
Slide pin into the hinge for both hinge assemblies.

3



HRP2  2x

Secure both hinge assemblies with the provided Hair Pins (HRP2).



Where *fun* on the water *begins!*

Please leave us a **Google review**



We'd love to hear from you and see your photos!



Phone

705.434.0359
1.877.434.0359



Email

info@canadadocks.ca



Address

3690 Adjala-Tecumseth Tl,
Beeton ON L0G 1A0

Rev 03 21.03.25

CanadaDocks.ca

