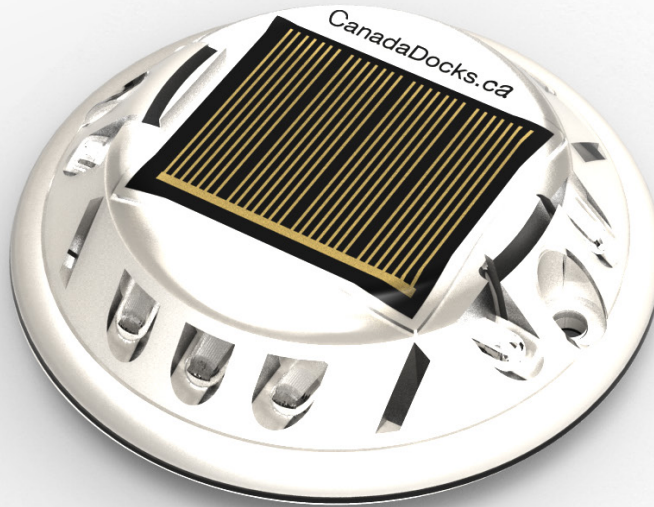


CanadaDocks™



Where *fun* on the water *begins!*



Solar Light Installation

Read this manual and related assembly instructions before attempting to assemble the parts enclosed to ensure that your new CanadaDocks System is assembled safely and correctly.

INCLUDED IN KIT:

SLR1



1x

STRM1



2x

TOOLS REQUIRED:

DRIVER

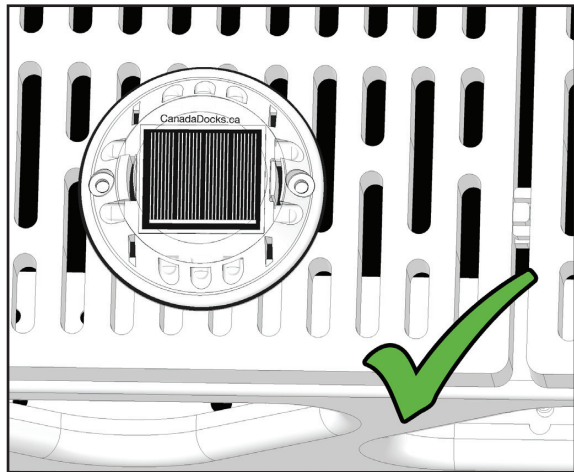
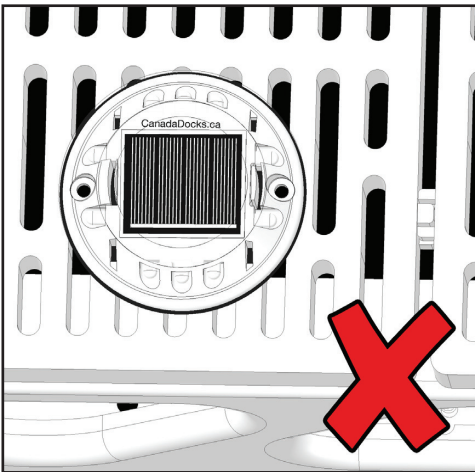
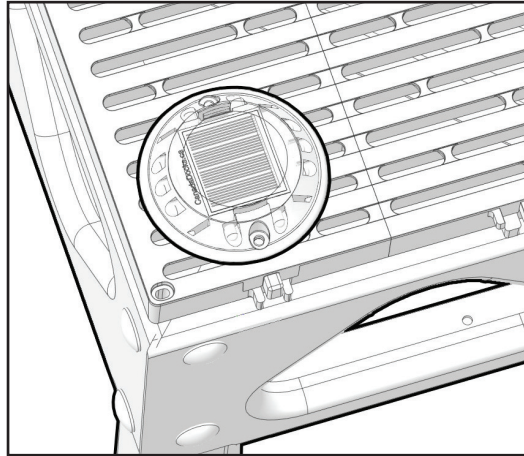
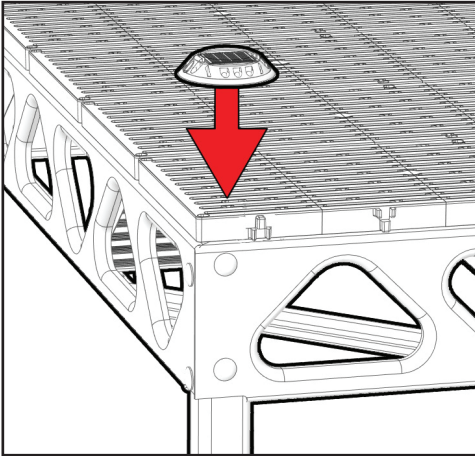


1

SLR1

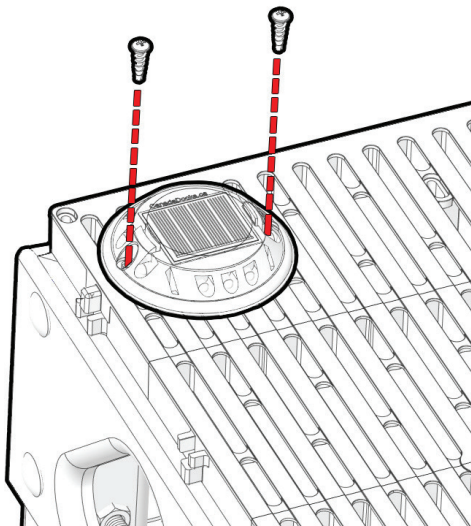


1x



Place the solar light in a suitable location on the decking. Ensure the solar light is positioned so both screw holes are on top of a solid backing for fastening.

2

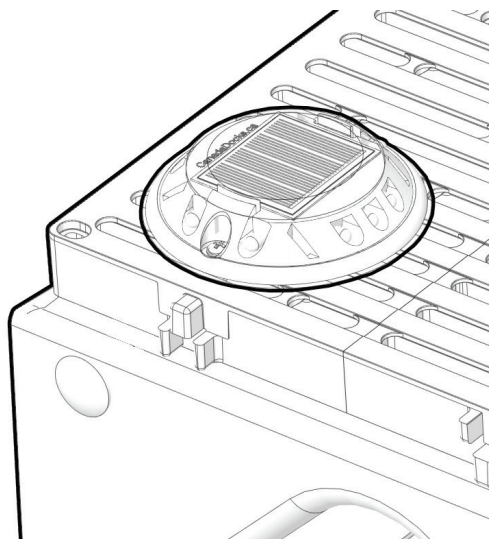
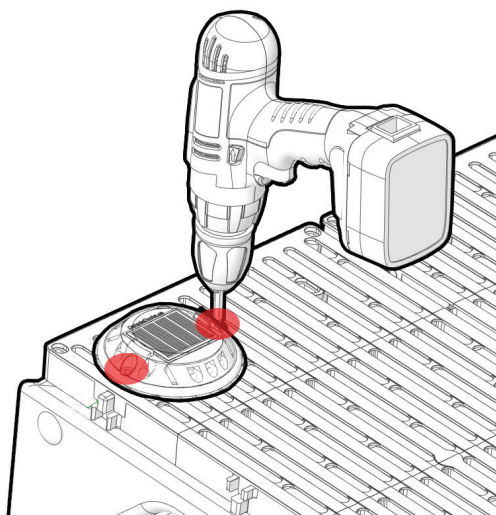


STRM1



2x

3



Repeat STEPS 1-3 for any additional lights added to your dock.

ENJOY!

Where *fun* on the water *begins!*

Please leave us a **Google review**



We'd love to hear from you and see your photos!



Phone

705.434.0359
1.877.434.0359



Email

info@canadadocks.ca



Address

3690 Adjala-Tecumseth Tl,
Beeton ON L0G 1A0

CanadaDocks.ca

