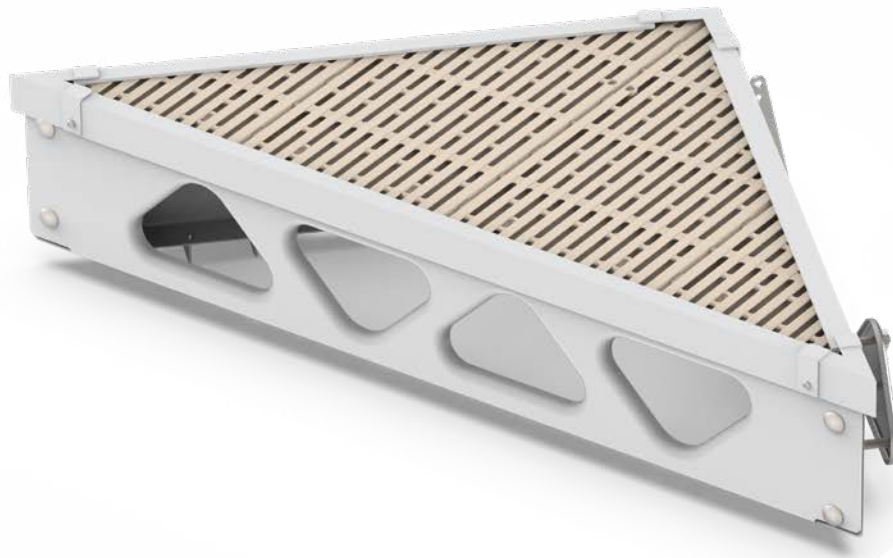


# CanadaDocks™




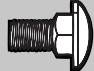
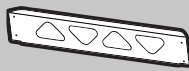








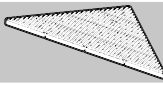




Where *fun* on the water *begins!*










## 4FT CORNER ASSEMBLY

Read this manual and related assembly instructions before attempting to assemble the parts enclosed to ensure that your new CanadaDocks System is assembled safely and correctly.

## INCLUDED IN KIT:

JB45		2x	CB075S		8x	T4		1x
CB35S		4x	TS4		2x	NL38		12x
J16		1x	STF075		4x	AT28		2x
AT43		1x	ST075		18x	DC4		1x
SSTUB		1x	ST2 OR STR2		10x	TB45		2x
TB90		1x						

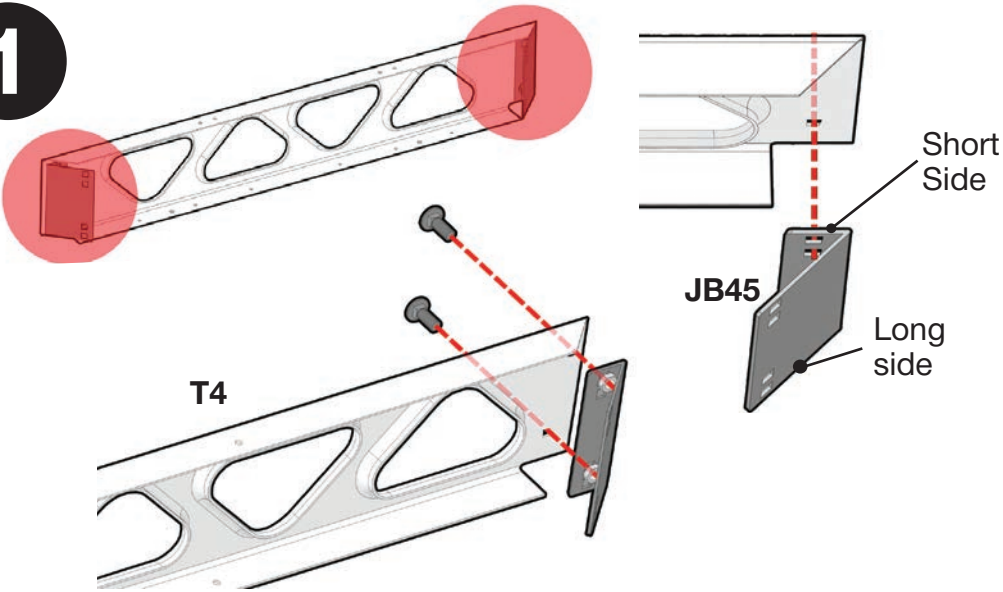
## INCLUDED IN KIT:

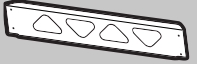

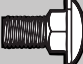

LK1		2x	CB15S		9x	HB1		2x
TPU1		2x	NL38		13x	QLB1		1x
QLB2		1x						

## Tools Required:

9/16" SOCKET WITH RATCHET TO SUIT OR 9/16" WRENCH		OR	#3 PHILLIPS DRILL BIT W/DRILL		LOCKING PLIERS	
SAFETY GLASSES			CIRCULAR SAW			

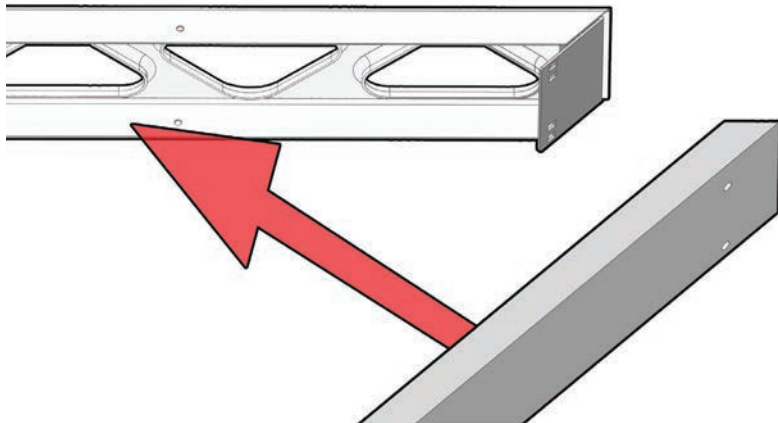
1



T4		1x
JB45		2x
CB075S		4x
NL38		4x

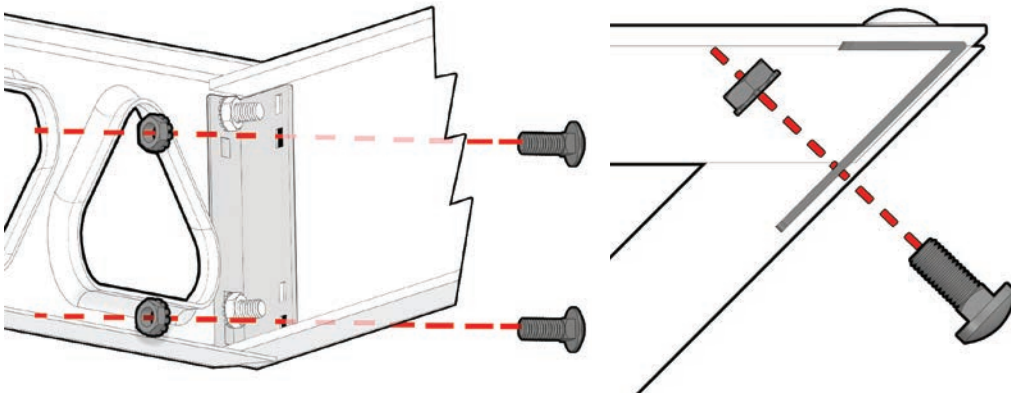
Ensure the short side of the bracket (**JB45**) faces the truss. Follow **STEP 1** for the opposite side of the truss (**F4**).

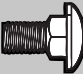

2



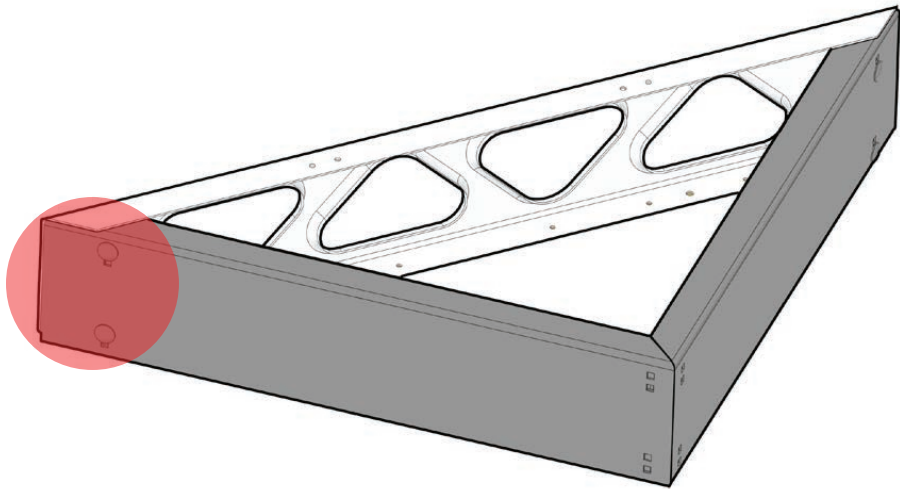
TS4		1x
-----	---	----


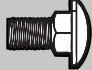

3



CB075S		2x
NL38		2x

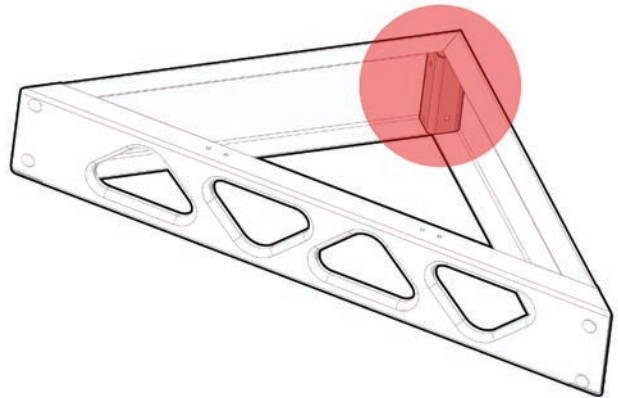
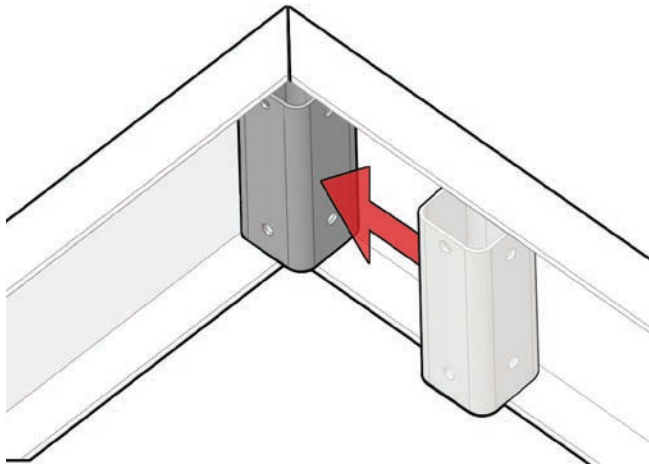
4




- TS4  1x
- CB075S  2x
- NL38  2x

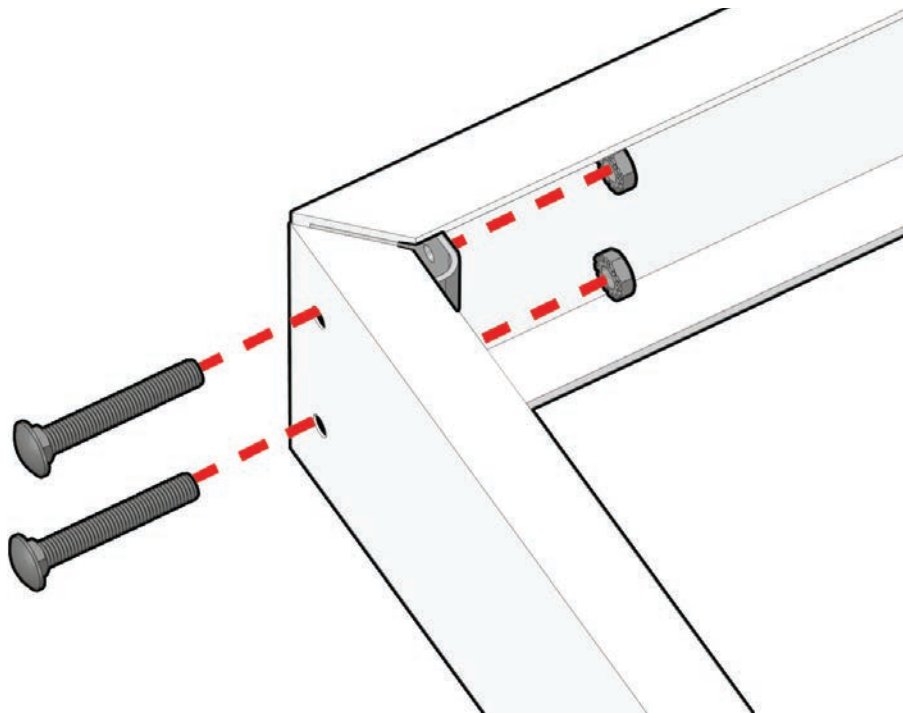
Repeat **STEPS 2-3** for the opposite side of the corner frame.



5



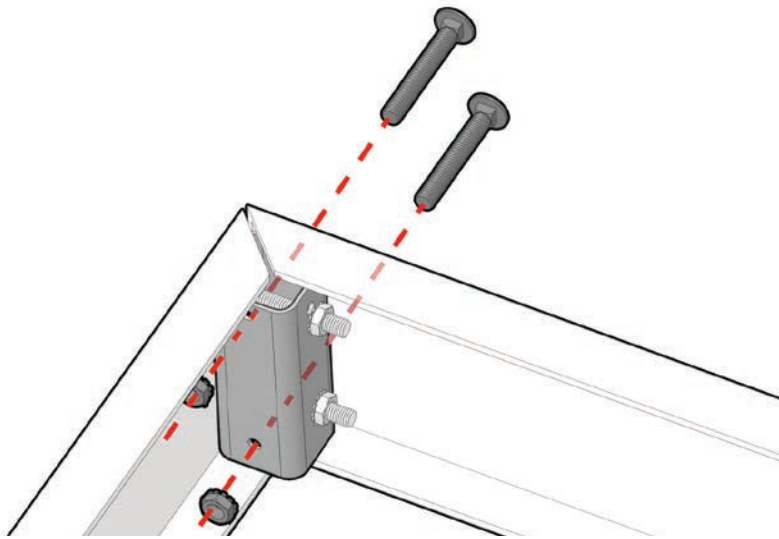
- SSTUB  1x


6



- CB35S  2x
- NL38  2x

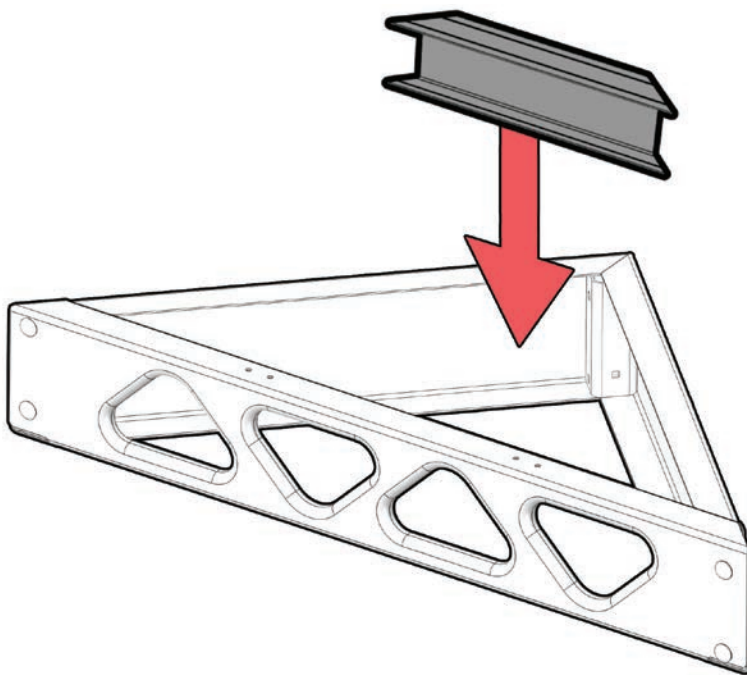
7



CB35S  2x

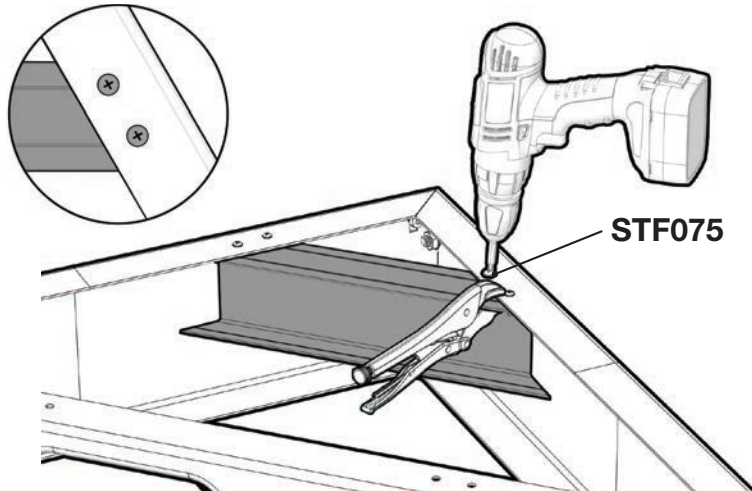
NL38  2x

8

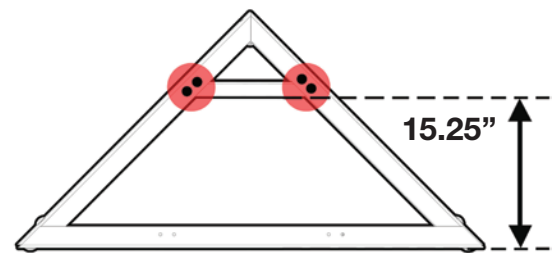


J16  1x

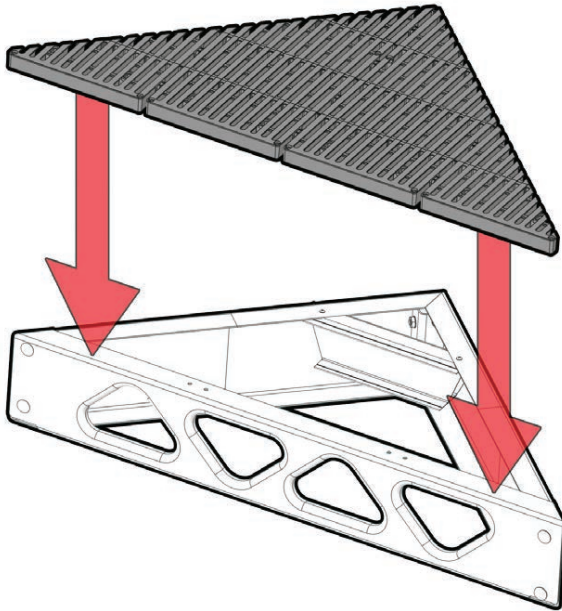
9

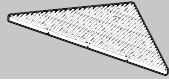


STF075  2x



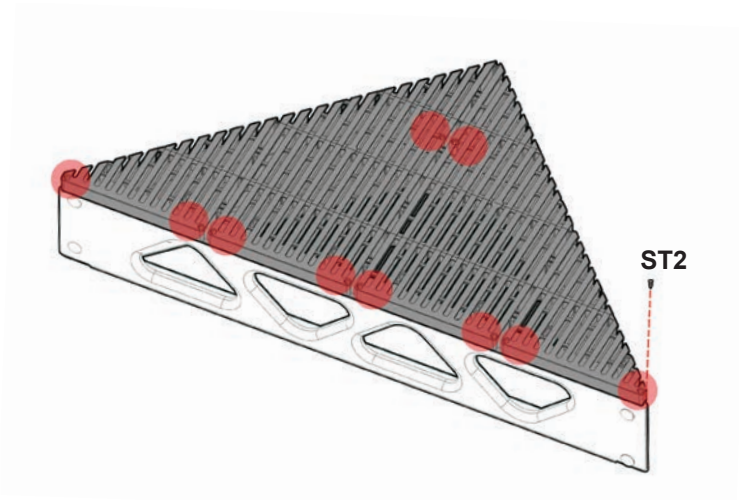
10





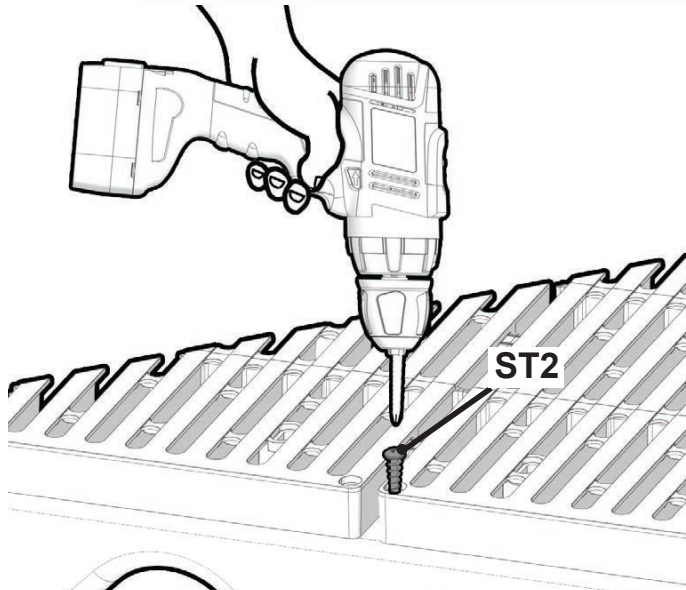
DC4  1x

Clamp a sheet of ThruFlow™ decking (**DC4**) to the truss frame aligning the sheet with the triangle frame. The sheet, after aligned and centered, should cover the entirety of the truss frame (**see above**).

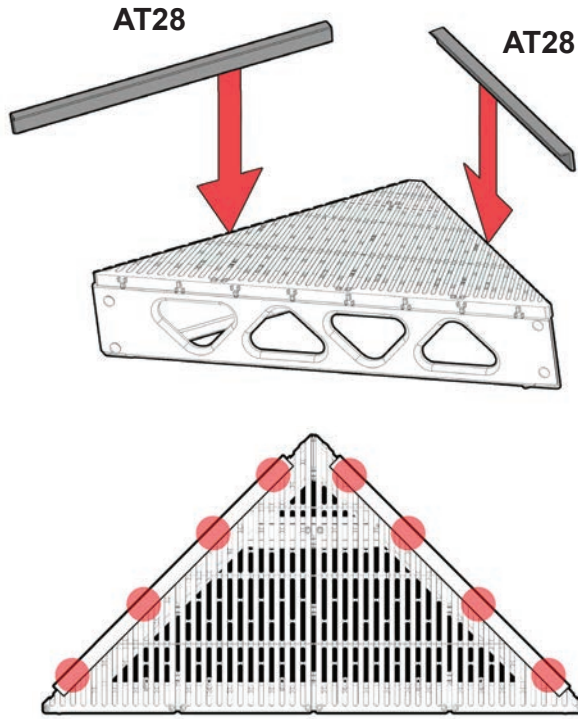
11



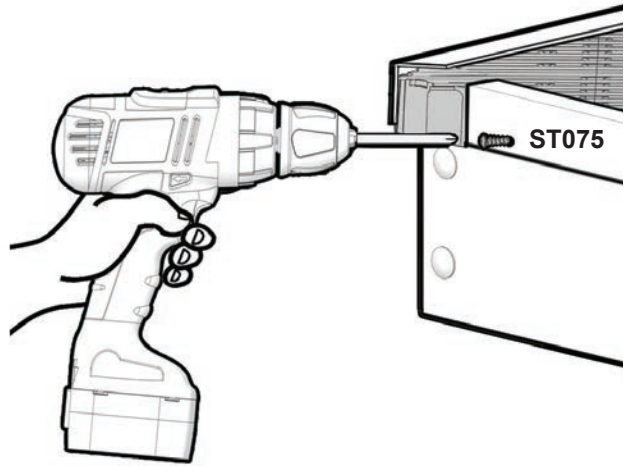
ST2  
OR  
STR2   10x



12



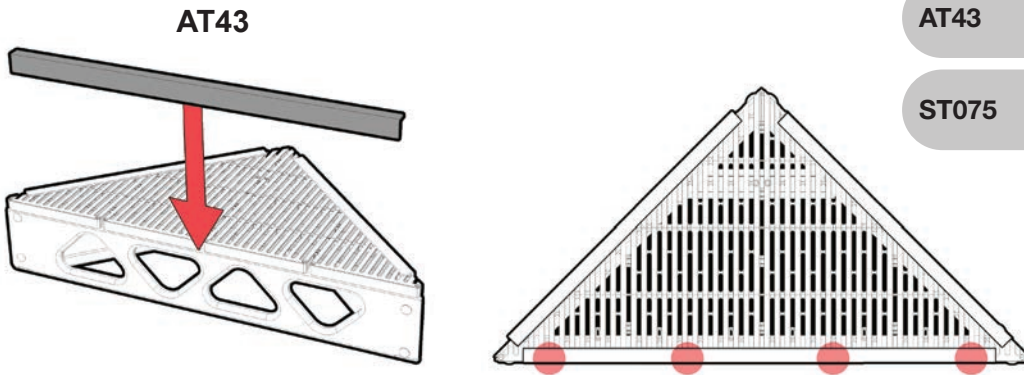
- AT28 28.5" 2x
- ST075 8x



Fasten aluminum trim (**AT28**) around the two sides of the truss frame with four screws (**ST075**) through each piece of trim into the truss.

**PLEASE NOTE:** Ensure the first & last screw on each trim is set back far enough that it does not interfere with the trim brackets (**TB90/TB45**) that will be placed over the aluminum trim.


13

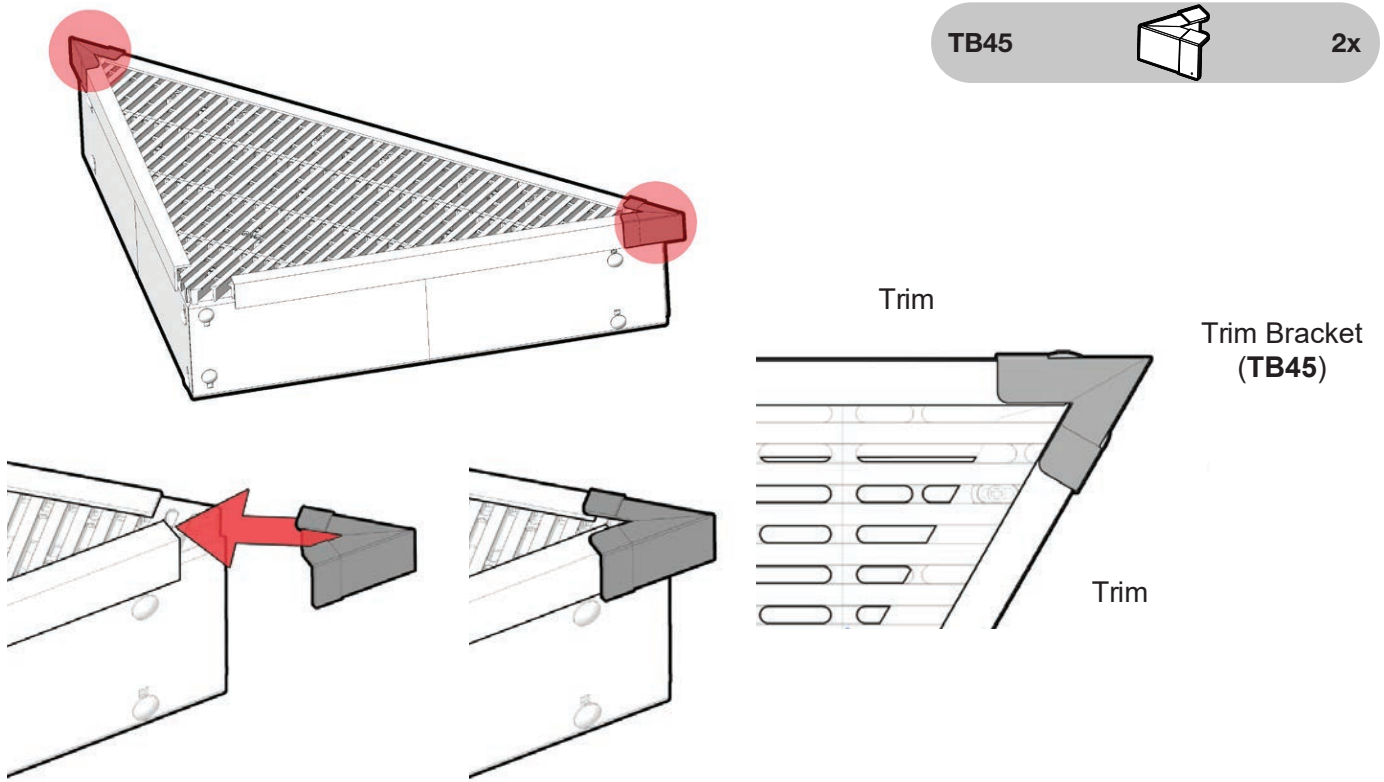


- AT43 43" 1x
- ST075 4x

Repeat **STEP 12** to fasten the third aluminum trim (**AT43**).

14

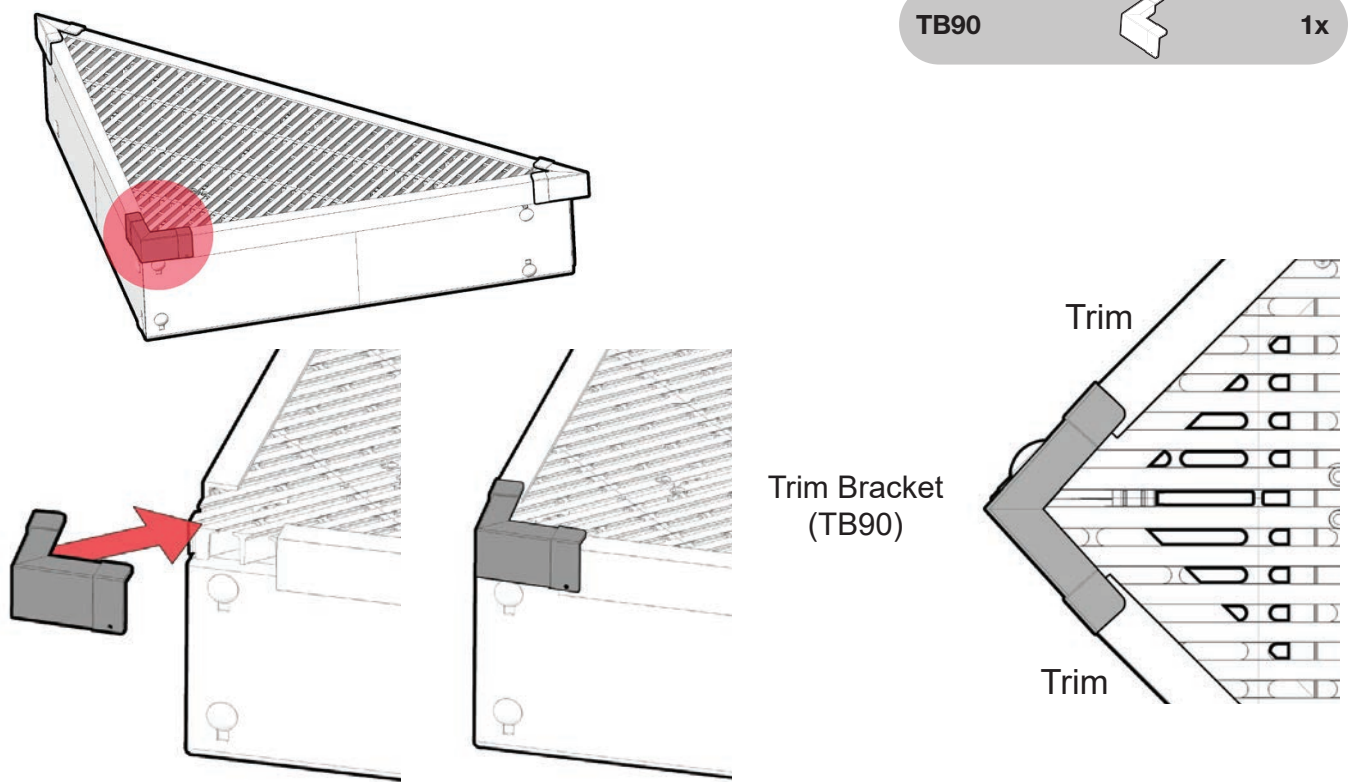
TB45  2x



The ends of the aluminum trim (**AT28 & AT43**) should fit underneath the ends of the trim brackets (**TB45**).

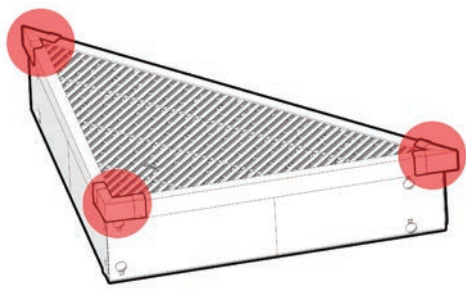
15



TB90  1x

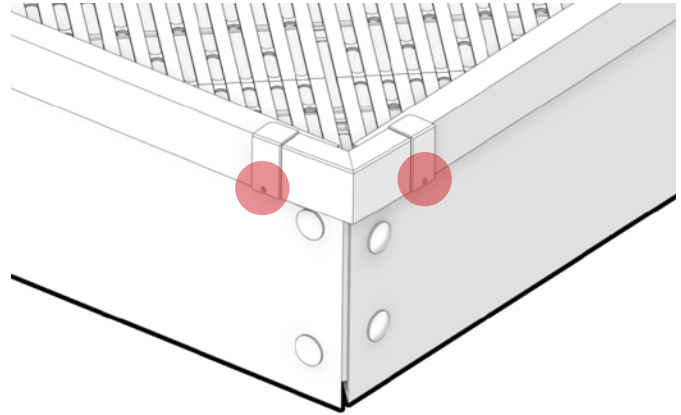
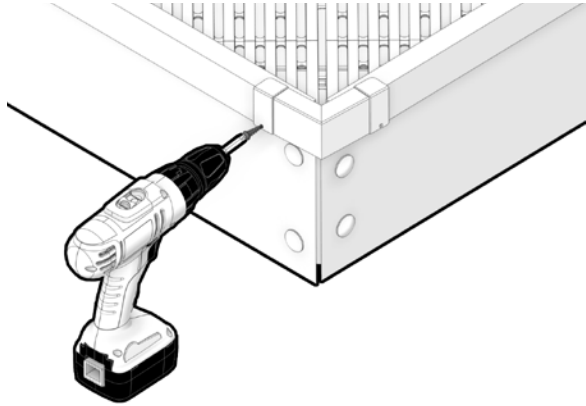


The ends of the aluminum trim (**AT28**) should fit underneath the ends of the trim brackets (**TB90**).

16



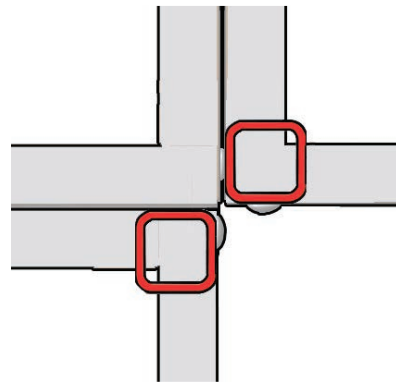
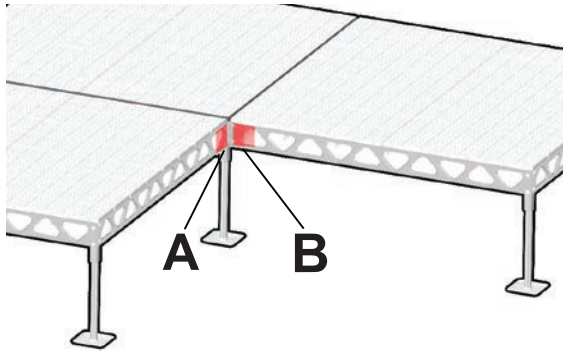
ST075   6x





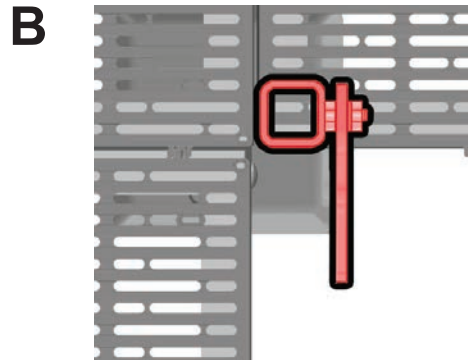
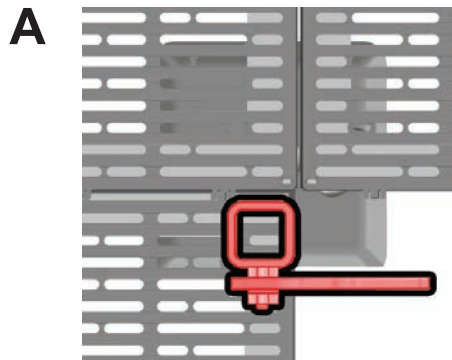
Fasten each bracket with two screws (**ST075**) see above for locations.

## 4' CORNER INSTALLATION

1

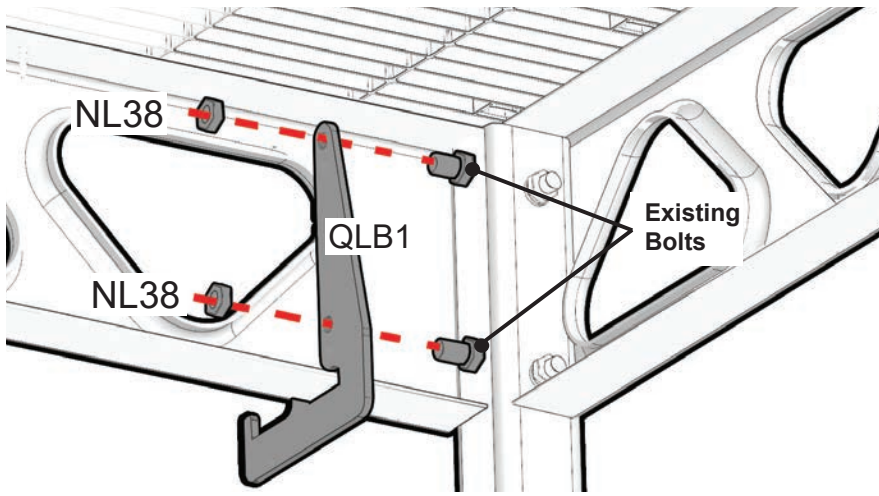




 L-Bracket Placement Locations 



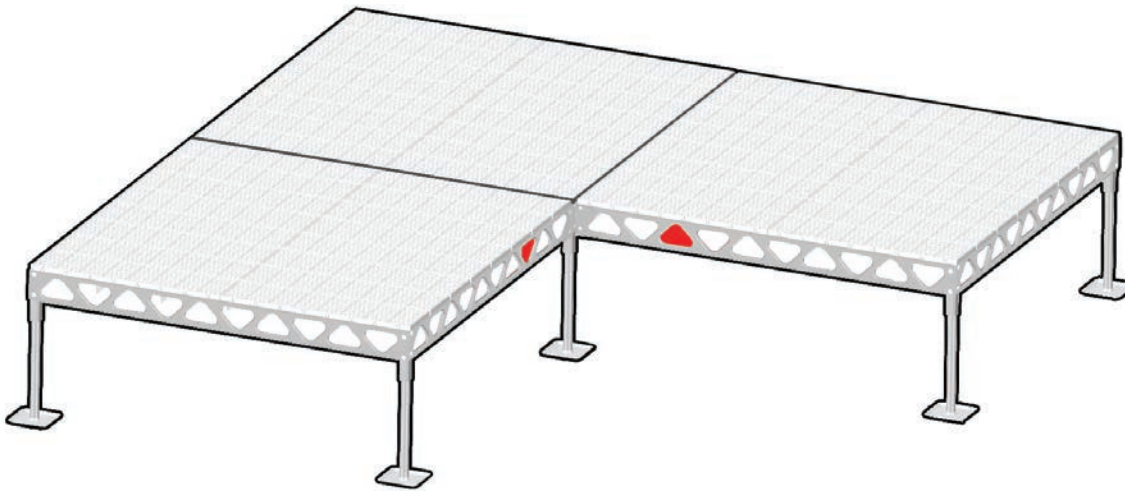
L-Bracket (**QLB1**) may be installed on either Leg 1 or 2 as shown.


2



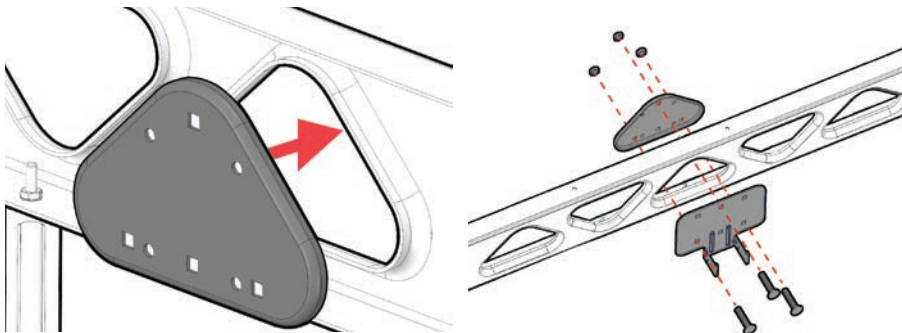
NL38		2x
QLB1		1x





3



 L-Bracket Placement Locations 

4

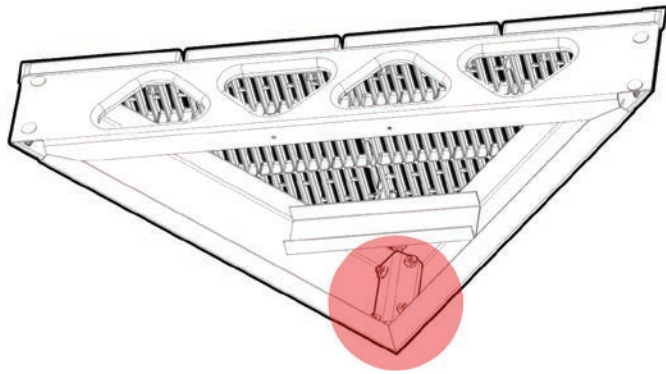


HB1		2x
CB15S		6x
NL38		6x
TPU1		2x

Place and install both hanger brackets (**HB1**) on truss locations (see image in **STEP 3**) on either side of the corner.

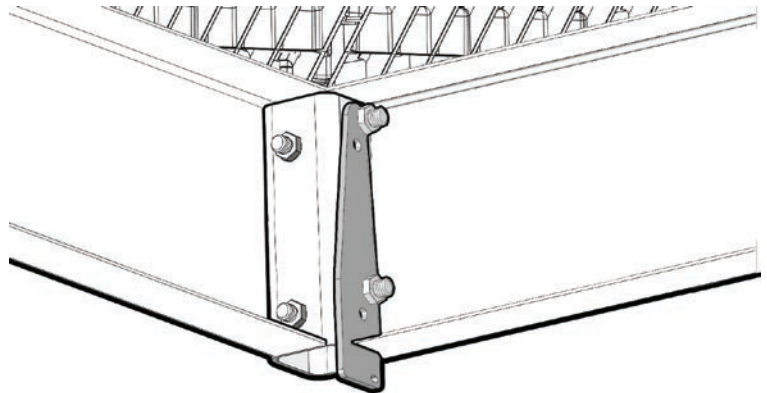
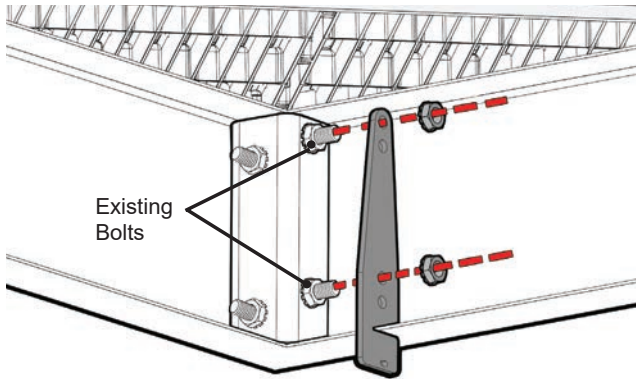
**PLEASE NOTE:** The above image has some hidden dock elements such as decking to better illustrate the hanger bracket installation.

5



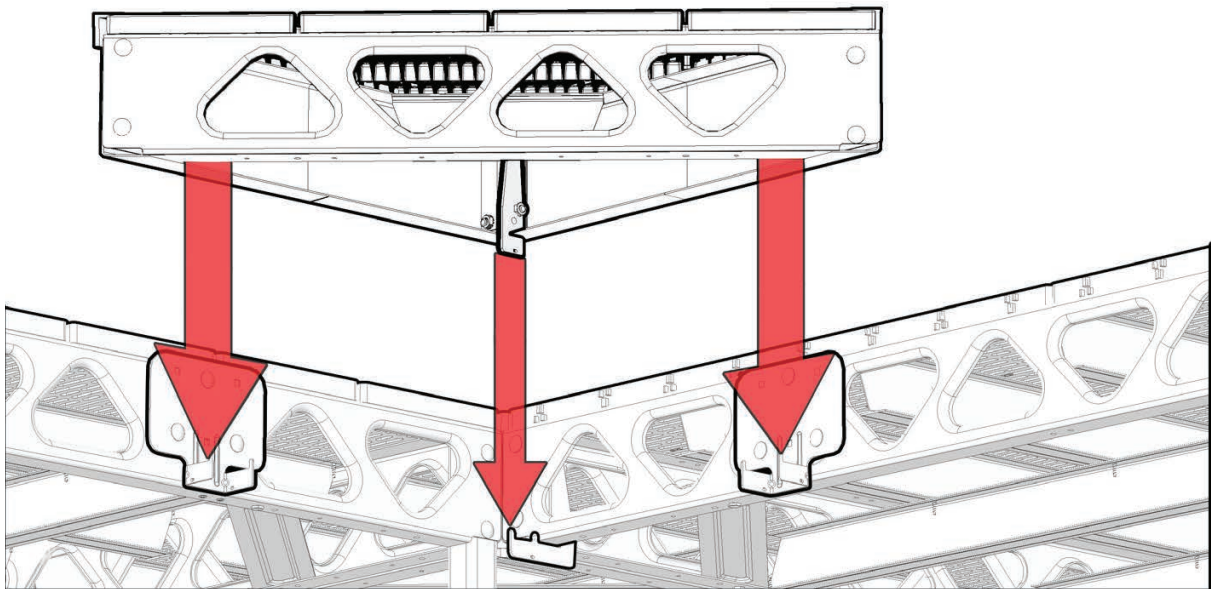
NL38  2x

QLB2  1x

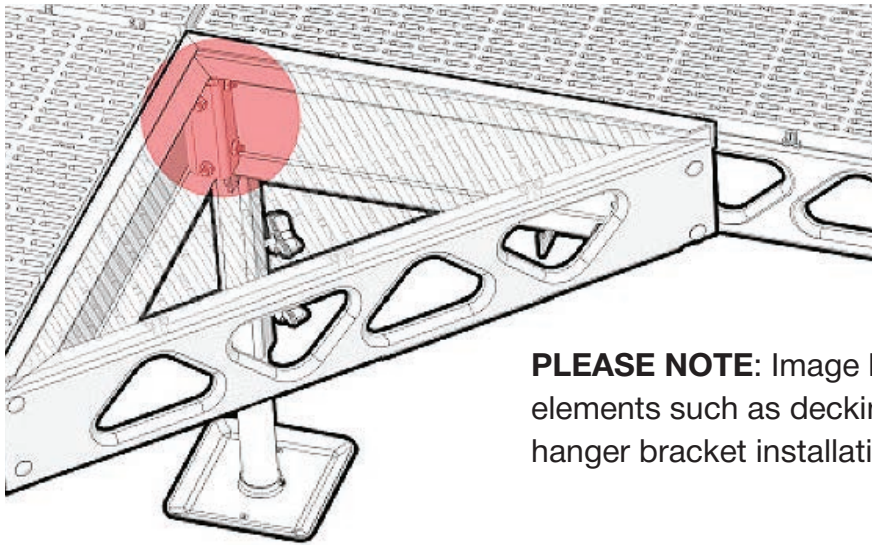



Fasten joining bracket (**QLB1**) to the corner dock in a position that will be parallel and on the same side as the L-Bracket installed in **STEP 2**.

6



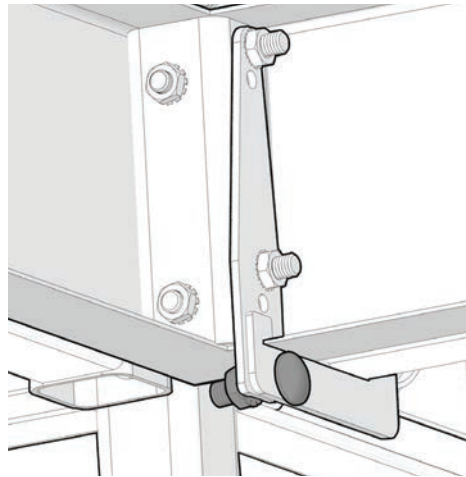
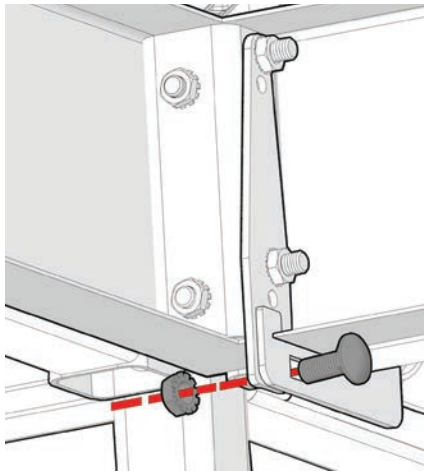
7



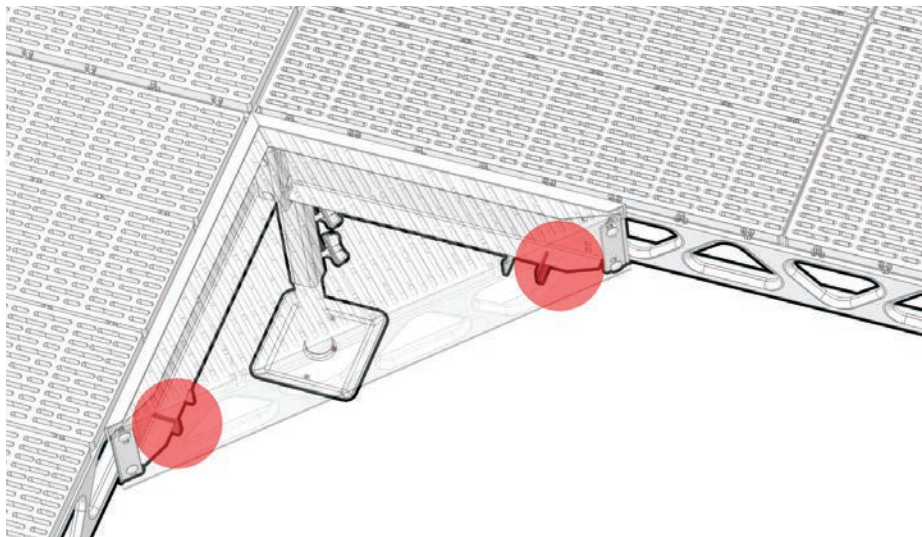
NL38  1x

CB15S  1x

**PLEASE NOTE:** Image has some hidden dock elements such as decking to better illustrate the hanger bracket installation.



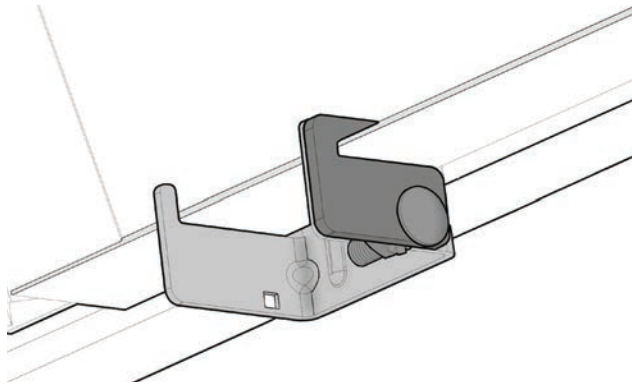
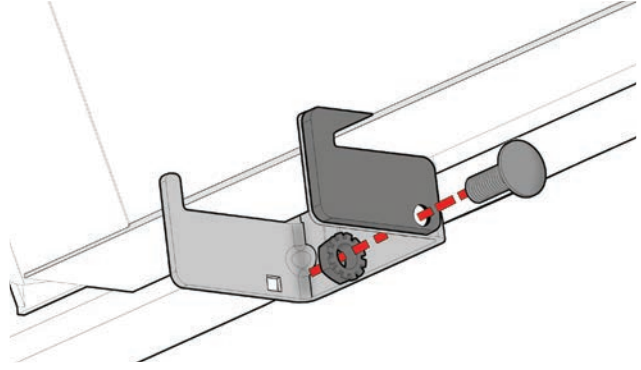
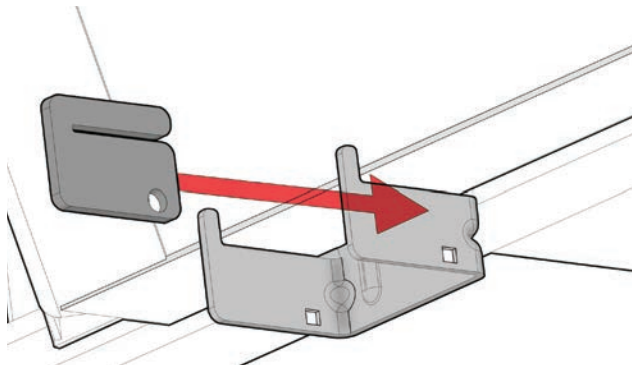
8



NL38  2x

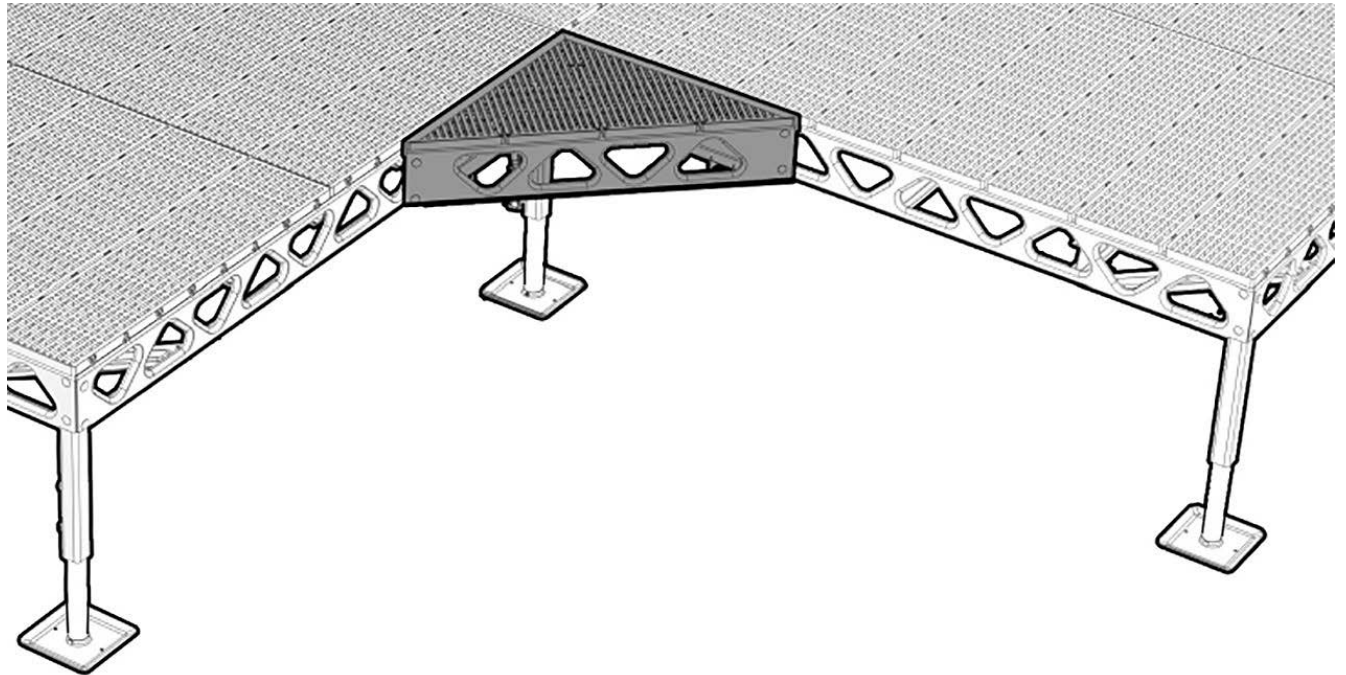
CB15S  2x

LK1  2x



**PLEASE NOTE:** Images have some hidden dock elements such as decking to better illustrate the Installation.

9



# NOTES:

# NOTES:

# Where *fun* on the water *begins!*

Please leave us a **Google review**



We'd love to hear from you and see your photos!



**Phone**

705.434.0359  
1.877.434.0359



**Email**

info@canadadocks.ca



**Address**

3690 Adjala-Tecumseth Tl,  
Beeton ON L0G 1A0

Rev 09 22.11.24

**CanadaDocks.ca**

